

22MM PLASTIC ROUND COMPLETE UNIT
 COMBINATION: ILLUMINATED PUSHBUTTON
 MOMENTARY CONTACT TYPE WITH FLAT BUTTON
 ILLUMINATED WITH INTEGRATED LED 24V AC/DC
 SCREW TERMINAL, 1NO+1NC WITH HOLDER
 GREEN

Design of the product	Complete unit round
Enclosure:	
Shape of the enclosure front	round
Material of the enclosure	plastic
Number of control points	1
Actuator:	
Design of the operating mechanism	Illuminated pushbutton
Manner of function of the actuating element	Momentary contact type
Product expansion optional Light source	Yes
Color	
• of the actuating element	Green
Material of the actuating element	plastic
Shape of the actuating element	Flat pushbutton
Type of unlocking device	without
Number of switching positions	2
Front ring:	
Product component front ring	Yes
Design of the front ring	Standard
Material of the front ring	plastic
Color of the front ring	black
Holder:	
Material of the holder	Plastic
Contact block/ lampholder:	
Mounting type	integrated LED

Number of lampholders		1
Number of switching elements		1

General technical data:

Product function		
• positive opening		Yes
• EMERGENCY STOP function		No
Product component		
• Light source		Yes
Type of voltage		
• of the operating voltage		AC/DC
Vibration resistance		
• acc. to IEC 60068-2-6		20 ... 200 Hz: 5g
Operating frequency maximum	1/h	1 000
Mechanical service life (switching cycles)		
• typical		3 000 000
Protection class IP		IP66
Equipment marking		
• acc. to DIN 40719 extended according to IEC 204-2 acc. to IEC 750		S
• acc. to DIN EN 61346-2		S
• acc. to DIN EN 81346-2		S
Operating voltage		
• Rated value	V	19 ... 30

Supply voltage:

Type of voltage of the supply voltage		
• of the light source		AC/DC
Supply voltage 1 of the light source with AC		
• at 50 Hz Rated value	V	24
• at 60 Hz Rated value	V	24
Supply voltage 1 of the light source for DC		
• Rated value	V	24

Auxiliary circuit:

Number of NC contacts		
• for auxiliary contacts		1
Number of NO contacts		
• for auxiliary contacts		1
Number of CO contacts		
• for auxiliary contacts		0
Operating current at AC-12		
• at 110 V Rated value	A	10
• at 48 V Rated value	A	10

• at 400 V Rated value	A	10
• at 24 V Rated value	A	10
• at 230 V Rated value	A	10
Operating current at AC-15		
• at 230 V Rated value	A	6
• at 400 V Rated value	A	3
Operating current		
• at DC-12		
— at 110 V Rated value	A	2.5
• at DC-13		
— at 24 V Rated value	A	3
— at 110 V Rated value	A	0.7

Connections/ Terminals:

Type of electrical connection		screw-type terminals
--------------------------------------	--	----------------------

Ambient conditions:

Ambient temperature		
• during operation	°C	-25 ... +70
• during storage	°C	-40 ... +80


Installation/ mounting/ dimensions:

Mounting type		front mounting
Shape of the installation opening		round
Mounting diameter	mm	22

Accessories:

Product component holder for 3 switching elements		Yes
--	--	-----

Certificates/ approvals:

General Product Approval		Declaration of Conformity	Test Certificates	Shipping Approval
 CSA	 UL		 EG-Konf.	Special Test Certificate  ABS

Shipping Approval				other
 DNV	 LRS	 PRS	 RINA	other Environmental Confirmations

other
Confirmation

Further information

Information- and Downloadcenter (Catalogs, Brochures,...)

<http://www.siemens.com/industrial-controls/catalogs>

Industry Mall (Online ordering system)

<http://www.siemens.com/industrymall>

Cax online generator

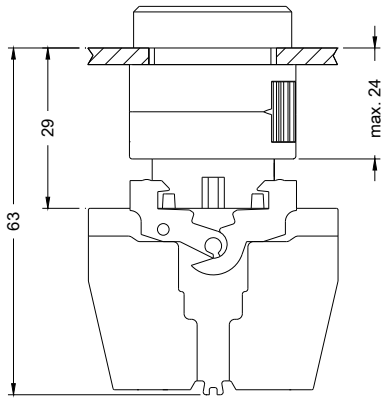
<http://support.automation.siemens.com/WW/CAXorder/default.aspx?lang=en&mlfb=3SB32470AA41>

Service&Support (Manuals, Certificates, Characteristics, FAQs,...)

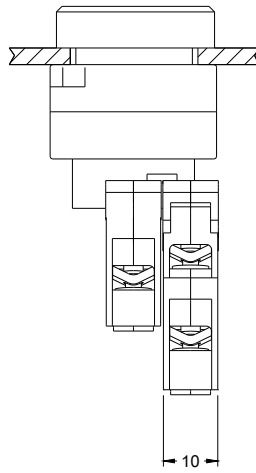
<http://support.automation.siemens.com/WW/view/en/3SB32470AA41/all>

Image database (product images, 2D dimension drawings, 3D models, device circuit diagrams, EPLAN macros, ...)

http://www.automation.siemens.com/bilddb/cax_de.aspx?mlfb=3SB32470AA41&lang=en



last modified:



09.03.2015